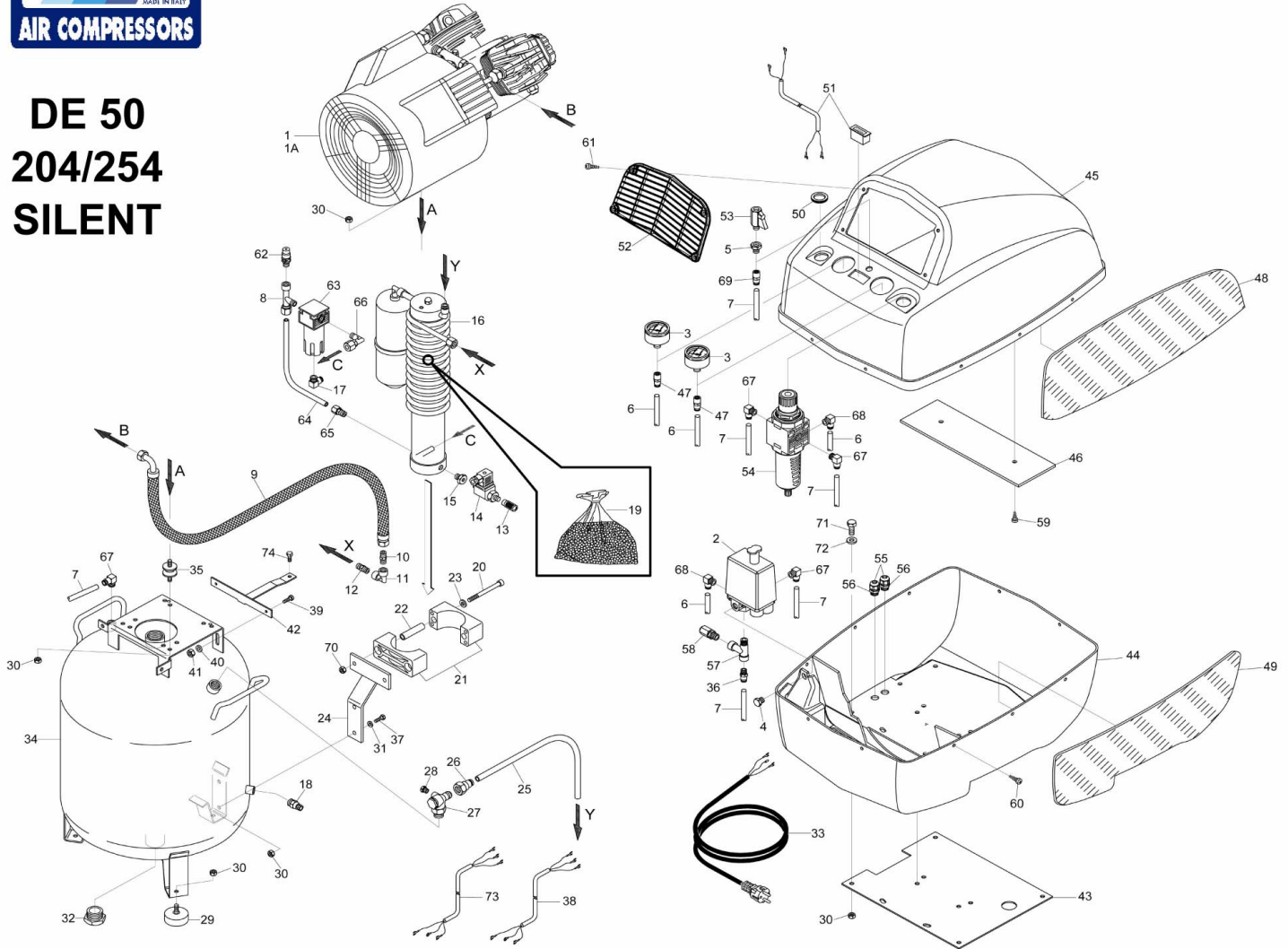


# DE 50/204 SILENT, DE 50/254 SILENT



## DE 50 204/254 SILENT

## PUMP: VS 204; VS 254



Code	Description	Quantity	Callout
2025420000	Compressor group VS204	1	1
2025840000	Compressor group VS254	1	1A
7250790000	Pressure switch	1	2
7111010000	Pressure gauge	2	3
7090070000	Plug	1	4
7085230000	Joint	1	5
7230010000	Rilsan hose	1	6
7230080000	Rilsan hose	1	7
7082950000	Joint	1	8
7234760000	Infeed hose	1	9
7082870000	Joint	1	10
7080581000	Joint	1	11
7084540000	Joint	1	12
7016150000	Muffler	1	13
7194240000	Solenoid valve	1	14
7085180000	Joint	1	15
1713000000	Absorption dryer	1	16
7081000000	Joint	1	17

# DE 50/204 SILENT, DE 50/254 SILENT



Code	Description	Quantity	Callout
7130160000	Discharge tap	1	18
4094210000	Salt for dryer	1	19
7010490000	Screw	2	20
7024190000	Collar	1	21
7043130000	Bushing	2	22
7030140000	Washer	2	23
5166500008	Support	1	24
7230030000	Rilsan hose	1	25
7084560000	Joint	1	26
7190180000	Non return valve	1	27
7090010000	Plug	1	28
7364520000	Rubber foot	3	29
7020240000	Nut	17	30
7030030000	Washer	9	31
7090060000	Plug	2	32
7327790000	Infeed cable	1	33
5159531008	Tank	1	34
7364430000	Shock absorber	4	35
7084290000	Joint	1	36
7011090000	Screw	2	37
7327310000	Hour meter cable	1	38
7014420000	Screw	2	39
7030560000	Washer	2	40
7020050000	Nut	2	41
5166470008	Support	1	42
5011900008	Plate	1	43
7152590000	Housing	1	44
7152580000	Housing	1	45
7515010000	Plate	1	46
7083990000	Joint	2	47
7213730000	Upper sound proof kit	1	48
7213740000	Lower sound proof kit	1	49
7500580000	Rubber	1	50
7563570000	Hour meter+cable kit	1	51
7152620000	Grid	1	52
7130440000	Tap	1	53
7100380000	Filter reducer	1	54
7500430000	Stretch eliminator	2	55
7500430010	Blocking nut	2	56
7082050000	Joint	1	57
7192020000	Safety valve 1/4" 8,5BAR	1	58
7014420000	Screw	2	59
7014420000	Screw	10	60
7014420000	Screw	4	61
7192140000	Safety valve 1/4" 9,5BAR	1	62
7562990000	Filter reducer	1	63
7231980000	Tube	1	64
7081650000	Joint	1	65
7084750000	Joint	1	66
7080970000	Joint	3	67
7080810000	Joint	2	68
7084900000	Joint	2	69
7020100000	Nut	2	70
7011080000	Screw	4	71
7030120000	Washer	4	72
7329470000	Cable	1	73
7011030000	Screw	1	74