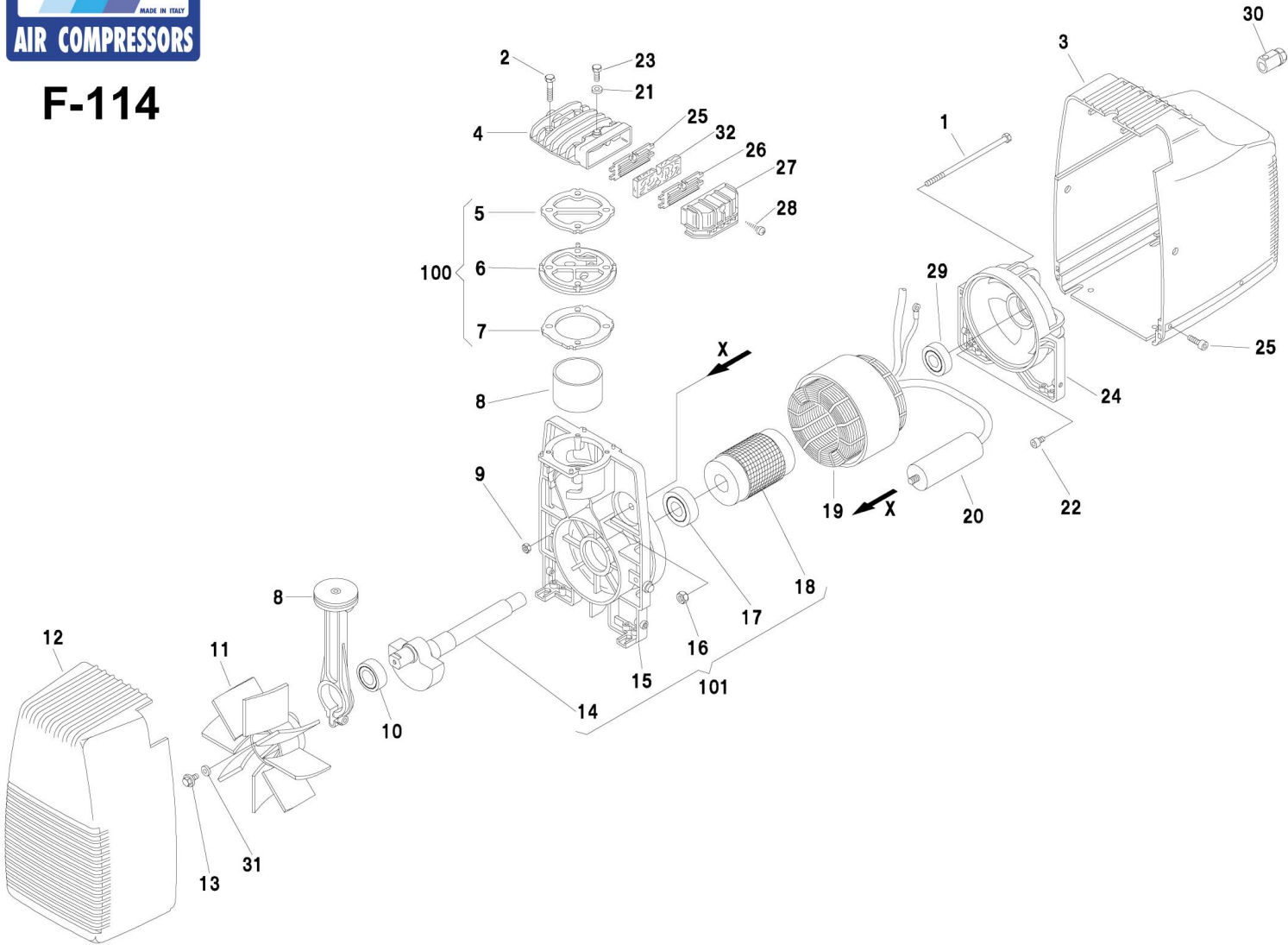


POMPA F114 AIRBAG + CARAT



F-114



POMPA F114 AIRBAG + CARAT



| Code | Description | Quantity | Callout |
|-------------|-----------------------------|-----------------|----------------|
| 7018010000 | Tension rod | 2 | 1 |
| 7011290000 | Screw | 4 | 2 |
| 7150580000 | Motor housing | 1 | 3 |
| 7570550000 | Head | 1 | 4 |
| 4200030000 | Valve plate | 1 | 6 |
| 4190270000 | Con rod/Piston/Cilinder Kit | 1 | 8 |
| 7021010000 | Selflocking nut | 2 | 9 |
| 7060550000 | Bearing | 1 | 10 |
| 7200140000 | Fan | 1 | 11 |
| 7150590000 | Compressor housing | 1 | 12 |
| 7011040000 | Screw | 1 | 13 |
| 5040700008 | Crankshaft | 1 | 14 |
| 7670040000 | Carter | 1 | 15 |
| 7020070000 | Nut for capacitor | 1 | 16 |
| 7060280000 | Bearing | 1 | 17 |
| 5090330008 | Rotor | 1 | 18 |
| 4011710000 | Wound stator V230/50-1 | 1 | 19 |
| 7310100000 | Capacitor 20 ?f | 1 | 20 |
| 7030780000 | Washer | 1 | 21 |
| 7013060000 | Screw | 1 | 22 |
| 7014300000 | Screw | 1 | 23 |
| 7640100000 | Cover | 1 | 24 |
| 7458340000 | Filter plate | 1 | 25 |
| 7458680000 | Sound proofing plate | 1 | 26 |
| 7210450000 | Cover | 1 | 27 |
| 7012010000 | Screw | 1 | 28 |
| 7060010000 | Bearing | 1 | 29 |
| 7501050000 | Strech eliminator | 1 | 30 |
| 7030190000 | Washer | 1 | 31 |
| 7210010000 | Intake filter | 1 | 32 |
| 4082630000 | Set of monoplate and gasket | 1 | 100 |
| 4280510000 | Carter/Shaft/Rotor group | 1 | 101 |
| 4082610000 | Set of gaskets (REF. 5-7) | 1 | 102 |