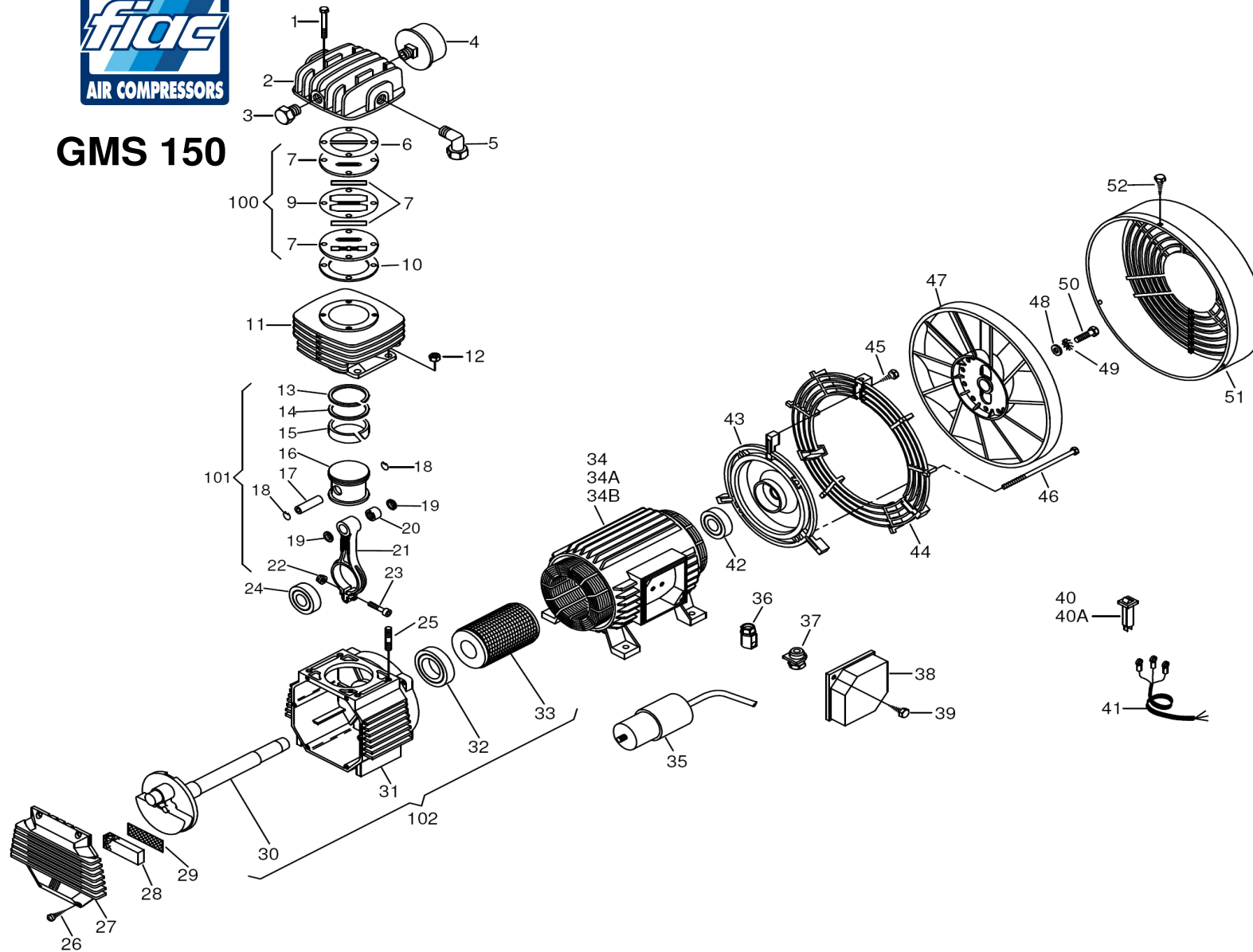




# GMS 150



**GMS 150**

validity date - from 22/07/2009

Ref.	Code	Description	Quantity
1	1127010134	Screw	4
2	1127570002	Head	1
3	1127090003	Tank plug	1
4	1127210009	Intake filter	1
5	1127080403	Joint	1
7	1127450951	Valve plate Kit	1
8	1127010208	Screw	3
11	1127570505	Cylinder	1
12	1127020007	Nut	4
16	1127220030	Piston	1
17	1127050005	Piston pin	1
18	1127040101	Internal snapring	2
24	1127060014	Bearing	1
25	1127010502	Stud bolt	4
26	1127010206	Screw	6
27	1127150105	Carter cover	1
28	1127210012	Filtering element	1
29	1127450803	Filter plate	1
30	1125040038	Crankshaft	1
31	1125070010	Crankcase	1
32	1127060065	Bearing	1
32	1127060065	Bearing	1
33	1125090018	Rotor	1
34	1124010097	Motor casing V230-50/1	1
35	1127310037	Capacitor	1
36	1127500105	Cable clamp	1
37	1127500106	Cable clamp	1
38	1127380234	Terminal cover	1
39	1127010202	Screw	2
40	1127410047	Single phase protection	1
41	1127320990	Pres.switch/Motor cable	1
42	1127060009	Bearing	1
42	1127060064	Bearing	1
43	1125110002	Cover	1
44	1127240802	Front protection	1
45	1127010206	Screw	3
46	1127010509	Tension rod	4
47	1127200034	Fan	1
48	1127030802	Washer	1
49	1127030101	Washer	1
50	1127010109	Screw	1
51	1127240803	Rear protection	1

