



MANUAL DE UTILIZARE SI INTRETINERE
Separator automat de condens de mare capacitate

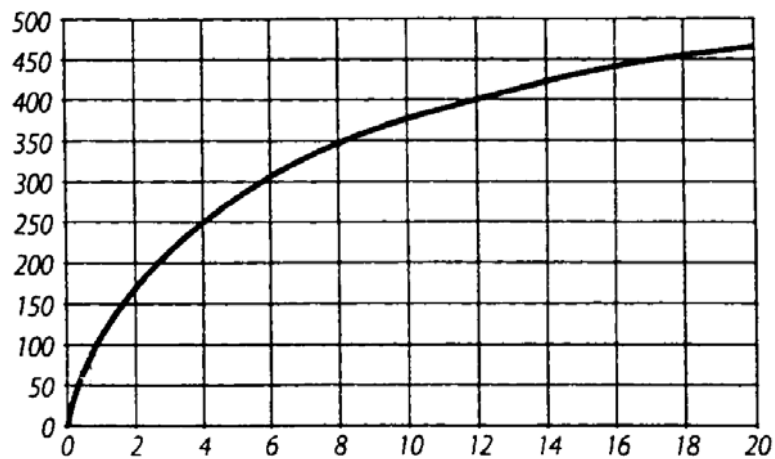
RO

USE AND MAINTENANCE HANDBOOK

Large capacity automatic condensate drain valve

GB

SC20 - AOK20B



RO CITITI ACESTE INSTRUCIUNI

Inainte de instalarea, punerea in functiune sau reglarea echipamentului, cititi cu atentie aceste instructiuni

GB READ THE INSTRUCTION HANDBOOK

Before positioning, operating or adjusting the compressor, read the instruction handbook carefully.

DESCRIPTION AND PERFORMANCE

The drain valve is an automatic drain with construction is made of aluminium body (1+2) that contains a stainless steel float operated purging system. It is also equipped with a manual purging valve (4). It discharges the condensate without compressed air losses.

When the discharge orifice is closed the floating buoyancy is lower than the addition of floating's weight and pressure or plug. When the condensate level inside the drain is rising, the float rises as the result of buoyancy and opens the discharging orifice. The orifice closes again when condensate level decrease.

INSTALLATION

Before connecting the condensate drain, blow compressed air through the piping in order to thoroughly clean out any impurities inside the system. Install the drain valve below the lowest point of pressure vessel. Install the optional connection nipple in order to perform better air venting and better condensate flow to the drain valve. the connection receiver-nipple drain valve should be done without any extra pipe or filter.

Discharge can be performed as "free orifice" or by using an extra tube. Discharge can be also be made above the drain if discharger counter-pressure is lower than operating pressure.

After 2 weeks, open the drain valve and carefully clean all components.

MAINTENANCE

WEEKLY: carefully unscrew the manual discharge drain valve and let the water to be blown out by the force of air, until only the compressed air is passing through for a few seconds. If a larger amount of water (more than 0.5 litres) exits the valve, the condensate drain must be thoroughly cleaned up.

YEARLY: dismantle the drain and clean all components. Do not solvents to clean rubber components.



NOTE! Before any maintenance work, release the pressure from the system!

SAFETY

During handling and maintaining, the personnel must operate with care observing all instructions concerning healthy and safety regulatives.

The user should be acquainted with operation and maintenance instructions of the condensate drain. The user should read and understood all warnings, cautions, prohibitions and notes written in this instruction manual.

Improper operation or maintenance of the drain valve could be dangerous and could result as an accident causing heavy injury or death.

The producer do not take any responsibility for damages or injuries caused by irregular, incorrect and abnormal use of device.

Precautions regarding installation and operation

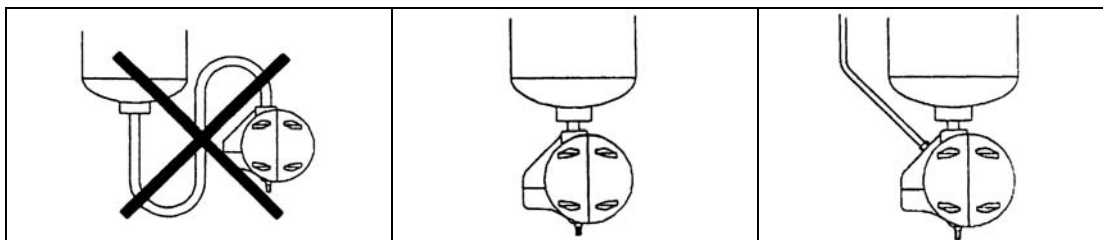
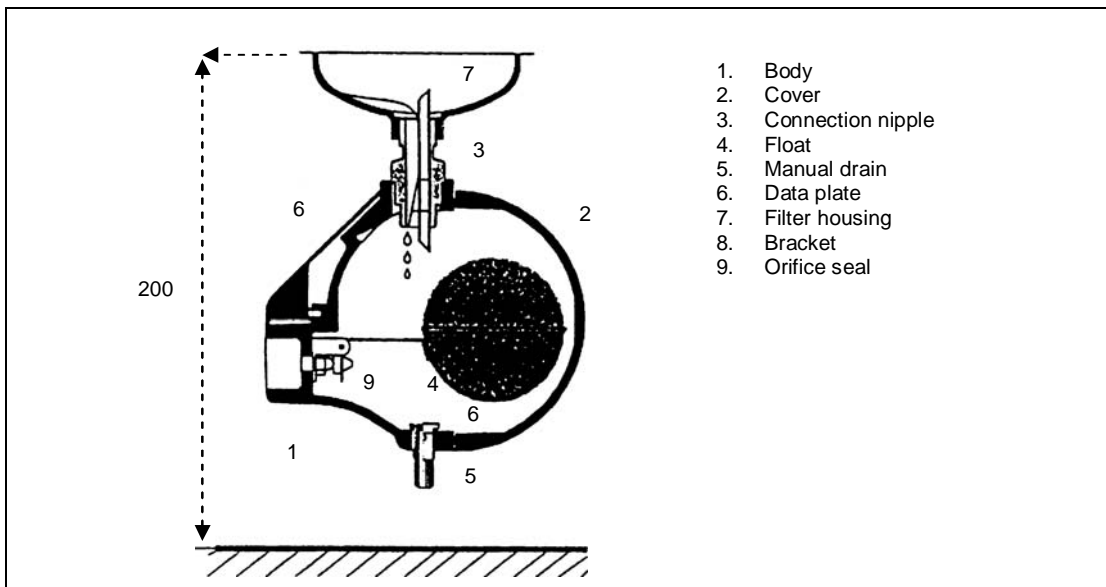
Install the drain valve to the system, where pressure and temperature values do not exceed the data plate values. These values must not be exceeded during operation even for the short duration.

Maintenance precautions

Before any maintenance works check that all pressurised air trapped in the system is released into the atmosphere.

When disposing of parts and waste material of any kind make sure that it will cause no nature pollution of any type. All waste material must be removed according to local environment regulatives and laws.

If replacement parts are needed use only original spare parts.



DESCRIERE SI UTILIZARE

SC20 AOK20B este un separator automat de condens cu corp din aluminiu (1+2) ce contine un sistem de golire cu plutitor din otel inoxidabil. Este echipat cu o supapa manuala de golire condens (4) ce permite golirea condensului fara pierderi de aer comprimat.

Cand in separator nu este condens acumulat, plutitorul sta la partea inferioara si inchide circuitul. Cand nivelul de condens creste, plutitorul se ridica datorita flotabilitatii acestuia si deschide circuitul de evacuare a condensului. Orificiul de evacuare este inchis din nou cand nivelul de condens scade in urma eliminarii acestuia.

INSTALARE

Inaintea instalarii separatorului de condens, curatati cu aer comprimat intregul circuit de tevi pentru a elimina toate impuritatile din sistem

Instalati supapa mai jos decat partea inferioara a rezervorului de aer comprimat. Folositi pentru aceasta niplul livrat impreuna cu filtrul. Nu folositi alte nipluri sau furtunuri suplimentare.

Evacuarea condensului poate fi apoi facuta prin curgere libera. Condensul poate fi eliminat si la un nivel superior separatorului cand in rezervor este presiune de aer ce va impinde condensul.

Dupa 2 saptamani, desfaceti separatorul si curatati-l.

INTRETINERE

SAPTAMANAL: desfaceti cu grija racordul manual de golire din partea inferioara a separatorului astfel incat condensul acumulat sa fie evacuat de catre aerul comprimat, pana cand prin racord iese doar aer comprimat. Daca din separator curge peste 0,5l de apa desfaceti supapa si curatati-o cu grija!

ANUAL: demontati separatorul si curatati cu grija toate componentele. Nu utilizati solventi pentru curatarea componentelor din cauciuc.



NOTA! Inaintea oricarei operatii de intretinere, goliti aerul comprimat din sistem!

NORME DE SECURITATE

In timpul utilizarii si intretinerii, personalul de deservire trebuie sa cunoasca si respecte instructiunile de securitate.

Utilizatorul trebuie sa citeasca toate informatiile din acest manual, sa aibe cunostiinta de toate pericolele si sa respecte toate normele de siguranta si protectie

Utilizarea improprie a supapei poate fi periculoasa si poate duce la accidente, chiar si mortale.

Producatorul nu-si asuma nici o responsabilitate legata de utilizarea necorespunzatoare, incoresta sau improprie a acestui dispozitiv.

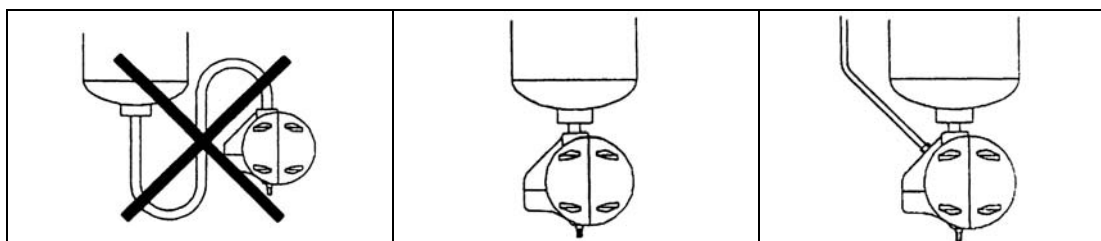
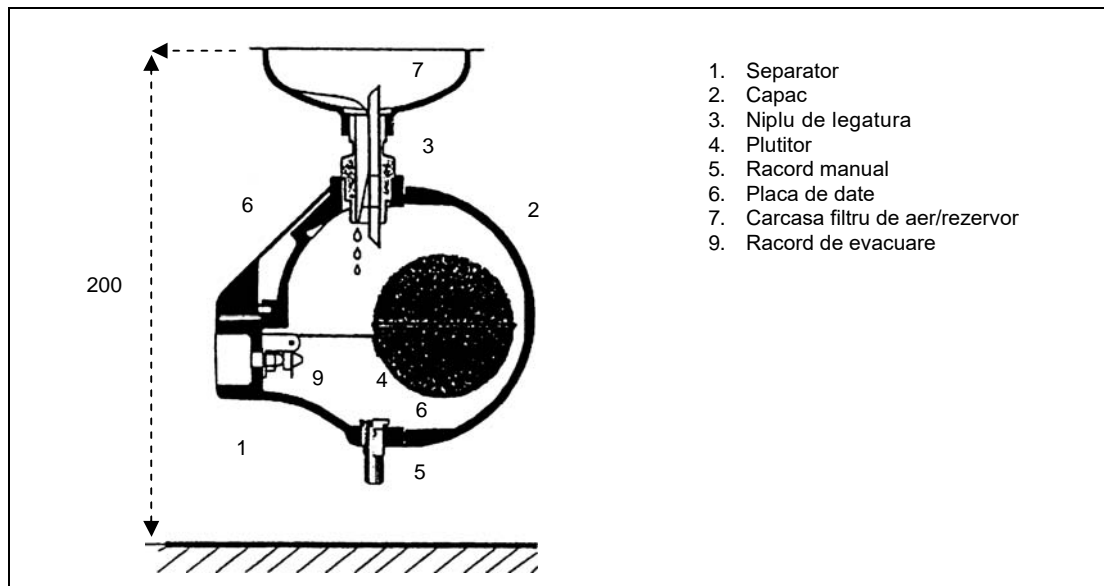
Norme de siguranta pentru instalare si functionare

Instalarea supapei trebuie facuta respectand intervalele de temperatura si presiune indicate pe aceasta. Valorile de presiune si temperatura maxima nu pot fi depasite nici chiar pentru perioade scurte de timp

Norme de siguranta pentru intretinere.

Inaintea oricarei operatii de mentenanta asigurati-va ca compresorul este oprit si in instalatie nu mai exista presiune de aer.

Orice deseuri sau parti componente ale echipamentului trebuiesc tratate ca deseuri selective pentru a nu polua mediul inconjurator. In aceste sens trebuiesc respectate normele locale in vigoare

In caz de nevoie folositi doar piese de schimb originale

RO**GARANTIE:**

Se acorda o garantie de 12 luni de la data vanzarii pentru supapa de evacuare condens. Supapa de evacuare condens este destinata utilizarii intr-un mediu obisnuit, cu o durata de functionare de pana la 8 ore pe zi. Montarea acesteia trebuie facuta de personal autorizat. In cazul unor defecte de fabricatie producatorul va inlocui componentele defecte, fara costuri pentru beneficiar. Garantia nu include defecte cauzate de lipsa de intretinere, neglijenta sau utilizare necorespunzatoare. Garantia nu acopera parte de uzura / consumabile.

GB**WARRANTY:**

The condensate drain valve is warranted for 12 months as from duly documented date of sale. This warranty is granted only to clients who are up to date with their payments. The condensate drain valve is warranted for normal operational duty of 8 hours per day in a suitable place. The condensate drain valve must be expertly installed. In the event of trouble caused by manufacturing faults occurring during the warranty period, the manufacturer shall replace free of charge parts recognised as faulty. Travelling and labour costs shall be, in any event, charged to the client. The following are excluded from the warranty: damage caused by poor maintenance, negligence and use under unsuitable conditions. The guarantee does not cover motors and all other electrical parts as well as parts subject to wear.

STAMPILA - STEMPEL

DATE

____ / ____ / ____



Fiac Air Compressors SpA
Bologna – ITALY
ww.fiac.it